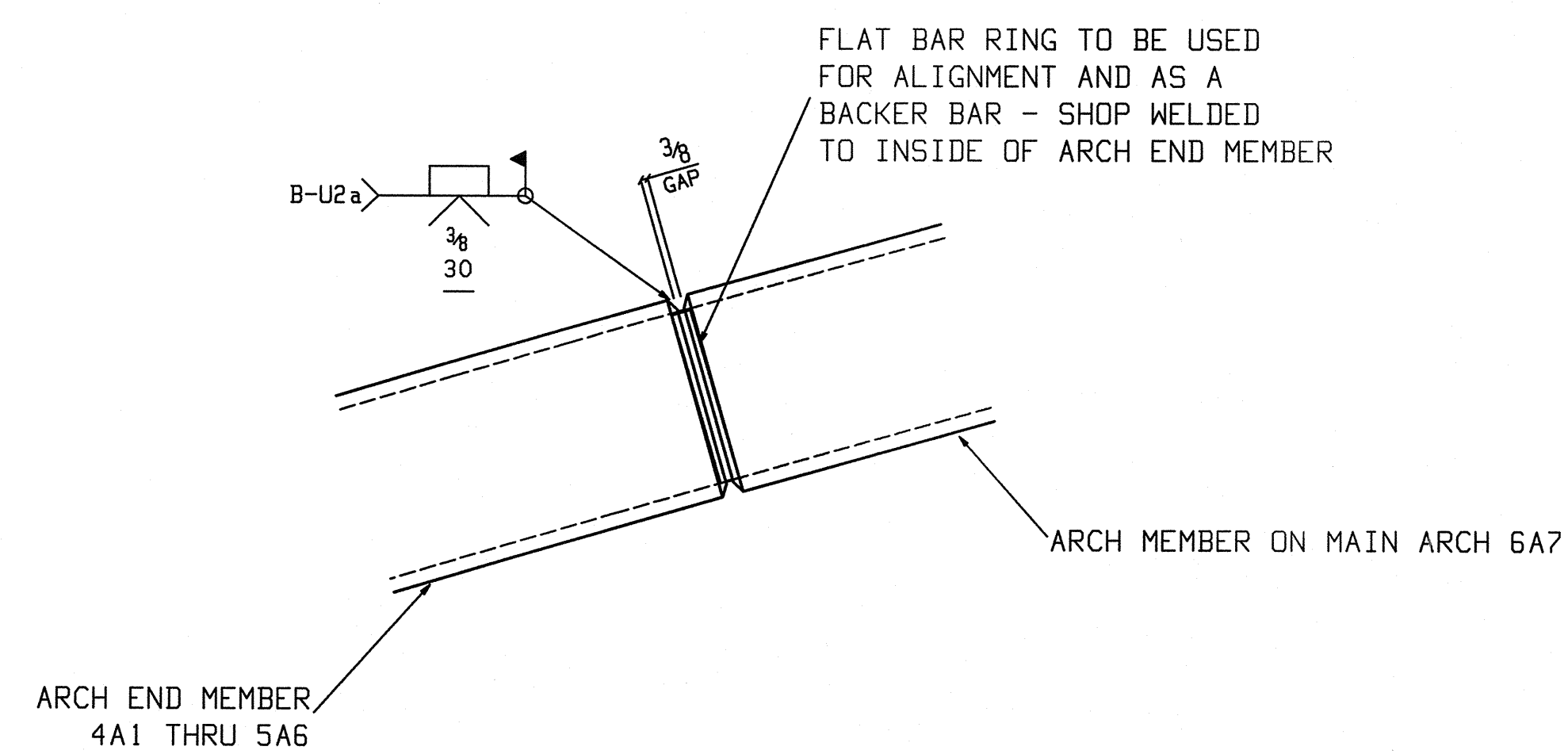
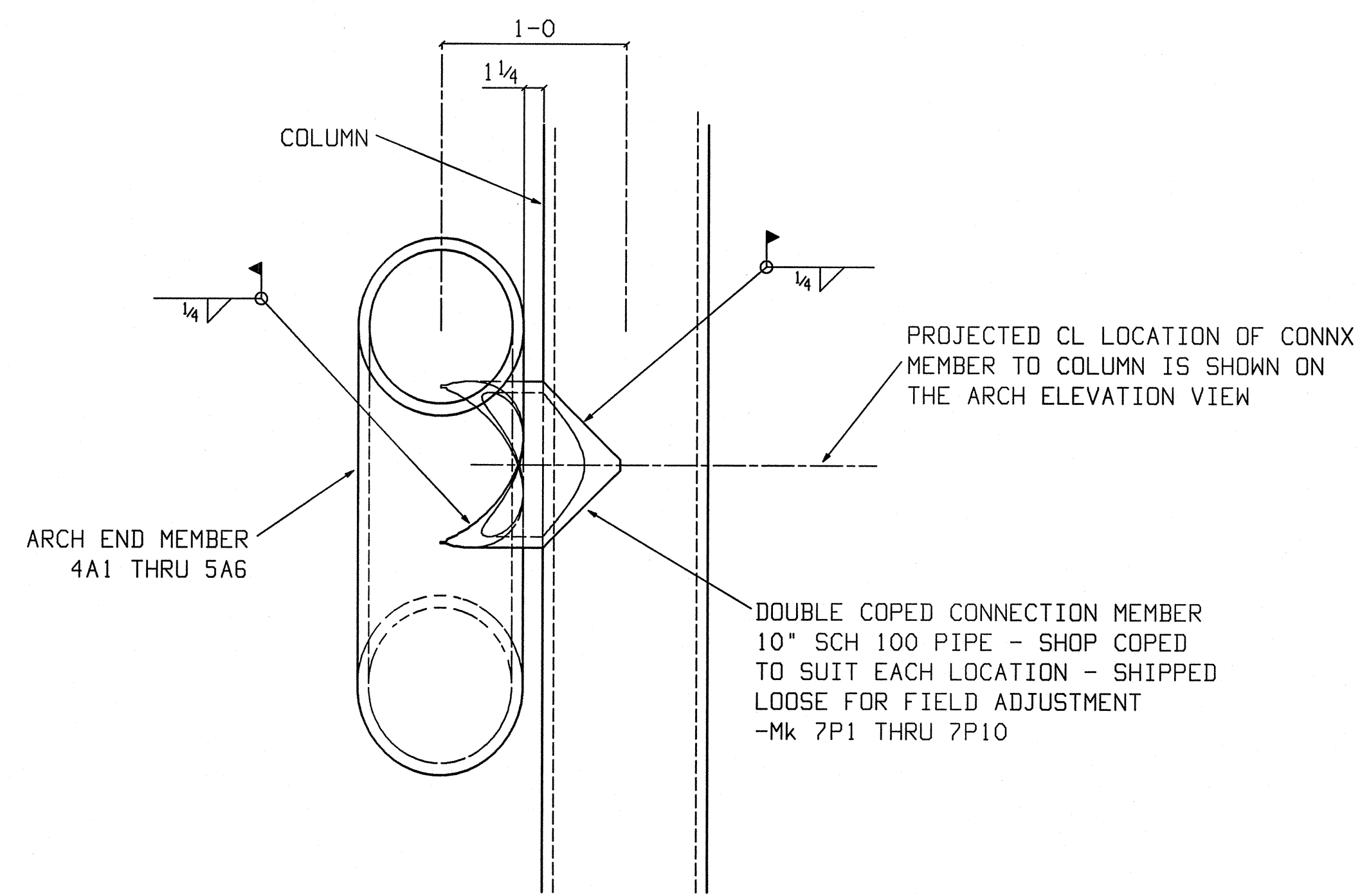


ELEVATION OF MAIN ENTRANCE SIGN ARCH & TOWERS



ARCH END TO MAIN ARCH CONNX DETAIL



ARCH END TO COLUMN CONNX DETAIL

REVISIONS		ANCHOR ENTERPRISES	
		(302)629-7969 BLADES, DE	
F/F	4-4-08 BAK	PROJECT	MOTORSPORTS SITE AMENITIES
APP	2-26-08 BAK		DOVER RACEWAY, DELAWARE
D	1-24-08 BAK	CUSTOMER	KENT CONSTRUCTION
PAINT			SHYRNA, DELAWARE
HOLES		ARCH'T	BECKER MORGAN GROUP
UNO			SALISBURY, MARYLAND
		JOB NO.	07-490
		DWG. NO.	E2 OF